



Acme Sanitary Ware Co Ltd

Acme Building, 22-28 Nanking Street, Kowloon, Hong Kong
Tel: 2388 7171 Fax: 2710 8012
E-mail: acme@acmesanitary.com.hk
Website: www.acmesanitaryware.com.hk



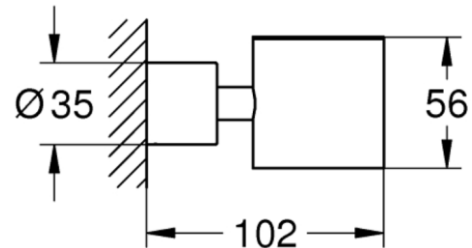
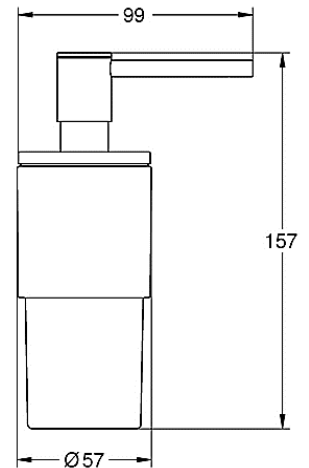
Pure Freude
an Wasser

PROJECT		REF		REV	ITEM CODE	
LOCATION		DATE			PAGE	

SANITARY WARE SPECIFICATION SHEET

Item Descriptions	GROHE (Germany) "Atrio" Chrome plated wall mounted 160ml soap dispenser
Dimensions	L57 x W102 x H157 mm
Model	40304003 (Soap dish holder) 40306003 (Soap dispenser)
Finish / Material	Chrome Plated / Glass and Metal
Country of origin Manufacturer	Germany GROHE Limited
Supplier	Acme Sanitary Ware Co. Ltd Mr. Eric Wong/ Mr. Don Yuen
Contact Tel/Fax E-mail Website	(852) 2388-7171 / (852) 2710-8012 acme@acmesanitary.com.hk www.acmesanitary.com.hk

Illustration/ Drawing



Product Descriptions

- material: glass / metal
- filling quantity 160 ml
- GROHE StarLight** chrome finish
- concealed fastening
- Soap dispenser** (40 306 xx3): fits in the following holder: Atrio (40 304 xx3)
- Soap dish holder** (40 304 xx3): for Atrio glass (40 254 003) or Atrio soap dispenser (40 306 xx3)

GROHE ATRIO

THE ICON OF ELEGANCE AND PRECISION

Consider the circle. A staple of natural geometry. A pure form at once soothing and dynamic. A visual metaphor for both, completeness and eternity. For its Atrio collection GROHE draws on this most elemental and elegant form to create an iconic object that is built to last.

The Atrio collection means design without restrictions. Each item is available in various finishes and size options to meet all demands of personal taste and different design schemes.



40304DC3+40306DC3 40304DA3+40306DA3 40304GL3+40306GL3 40304AL3+40306AL3

Colour options:

- 003 | StarLight Chrome
- DC3 | SuperSteel
- DA3 | Warm Sunset
- A03 | Hard Graphite
- AL3 | Brushed Hard Graphite
- GL3 | Cool Sunrise
- GN3 | Brushed Cool Sunrise
- DL3 | Brushed Warm Sunset
- BE3 | Polished Nickel
- EN3 | Brushed Nickel

Note: [GROHE Atrio](https://www.youtube.com/watch?v=ocWw1NWOh88) <https://www.youtube.com/watch?v=ocWw1NWOh88>

* All information of the above is for the reference only. No prior notice is made if any changes.